


Cable junction boxes with PE inlay



DK 0202 U

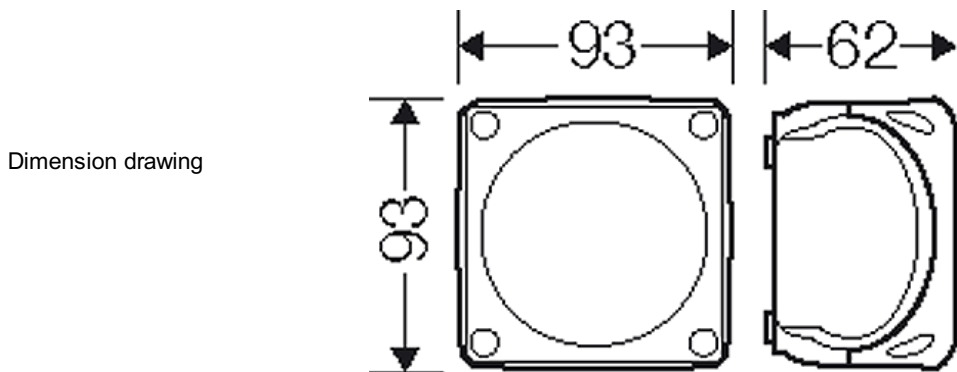
- 0.75-2.5 mm², Cu 3~

IP
66


- terminal with 2 clamping units per pole
- 5-pole per pole 8 x 0,75 mm² f, 6 x 1,5 mm² r / f, 4 x 2,5 mm² r / f, 2 x 4 mm² r / f
- with patented PE inlay to connect the armours of SWA cables
- with integrated elastic membranes, which can be removed for cable entry via cable glands, sealing range 6.0-15.0 mm
- lid fasteners sealable without accessories
- retaining strap and external brackets for wall fixing included
- colour: grey, RAL 7035
- To close opened membranes use grommets type EDK. Degree of protection = IP 66.

rated insulation voltage	U _i = 690 V a.c./d.c.
rated current:	20 A
material	PP (polypropylene)
degree of protection	IP 66
width	93 mm
height	93 mm
depth	62 mm
weight	0,186 kg
tightening torque for terminal	0.5 Nm
in accordance with	IEC 60670-22

Drawings



Cable junction boxes with PE inlay

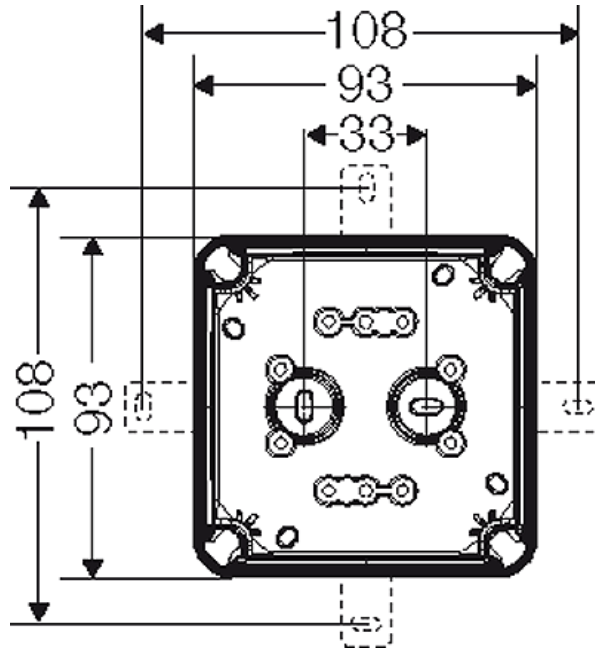


DK 0202 U

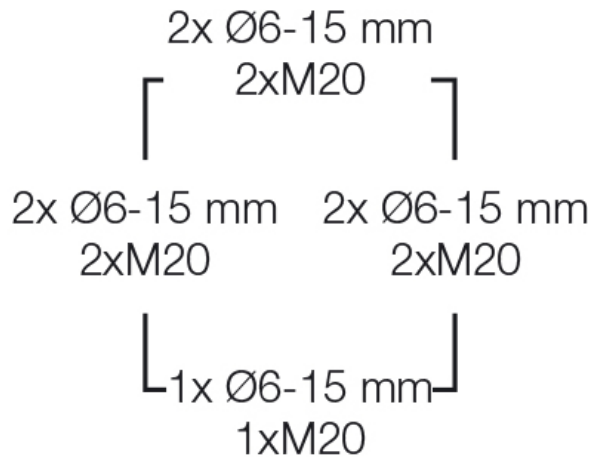
- 0.75-2.5 mm², Cu 3~

IP
66

Detail mass




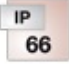
Box walls



Operating and ambient conditions

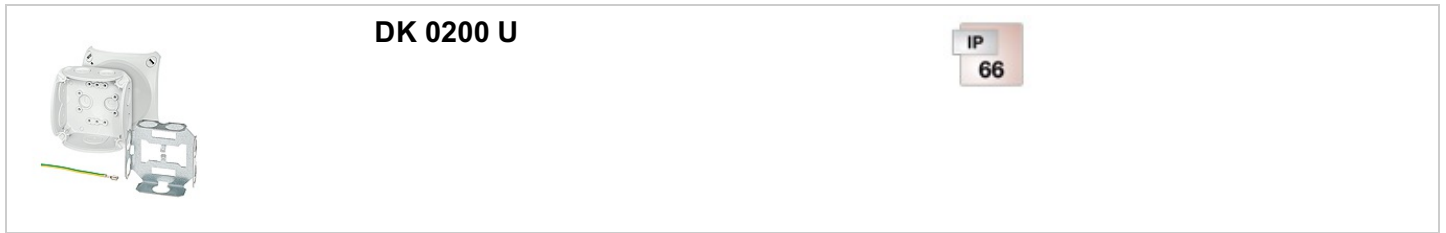
Application area	Suitable for indoor installation and outdoor installation, protected against weather influences
Ambient temperature	Average value over 24 hours + 35 °C Maximum value + 40 °C Minimum value - 25 °C
Relative humidity	50% at 40° C short-time 100% at 25° C
Fire protection in the event of internal faults	Demands placed on electrical devices from standards and laws Minimum requirements - Glow wire test in accordance with IEC 60695-2-11: - 650°C for boxes and cable glands - 850°C for parts of insulating material necessary to retain current carrying parts in position

Cable junction boxes with PE inlay

	<p>DK 0202 U</p> <ul style="list-style-type: none"> • 0.75-2.5 mm², Cu 3~ 	
---	--	---

<p>Burning behaviour</p>	<p>Glow wire test IEC 60695-2-11: 750 °C UL Subject 94: V-2 flame-retardant self-extinguishing</p>
<p>Degree of protection against mechanical load</p>	<p>IK07 (2 Joule)</p>
<p>Toxic behaviour</p>	<p>halogen-free silicone-free "halogen-free" in accordance with the examination of the cables and insulated wires - corrosiveness of fumes - as per IEC 60754-2</p>
<p>Note:</p>	<p>For material properties see technical data.</p>

Cable junction boxes with PE inlay

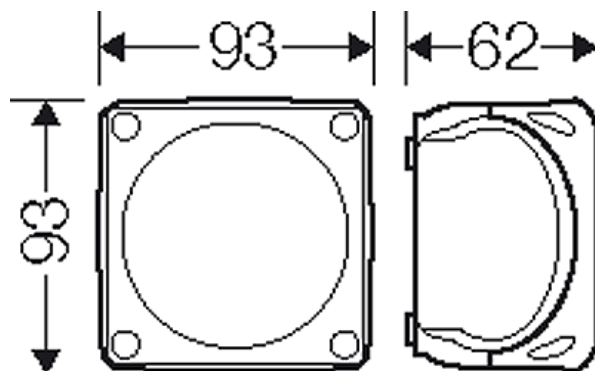


- without terminals
- with patented PE inlay to connect the armours of SWA cables
- with integrated elastic membranes, which can be removed for cable entry via cable glands, sealing range 6.0-15.0 mm
- lid fasteners sealable without accessories
- retaining strap and external brackets for wall fixing included
- colour: grey, RAL 7035
- To close opened membranes use grommets type EDK. Degree of protection = IP 66.

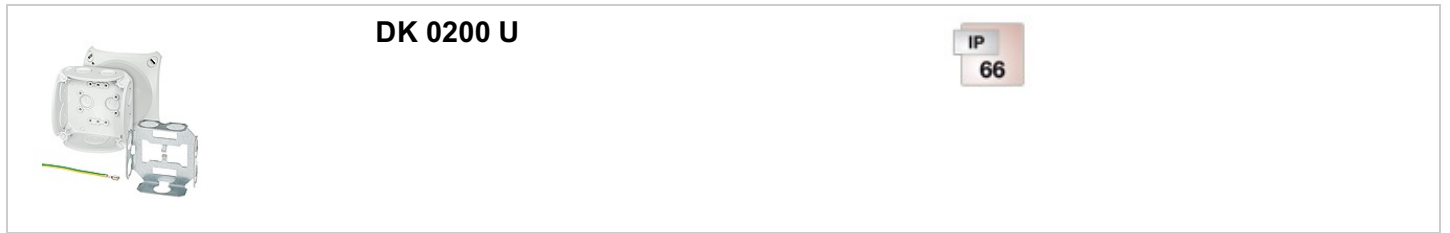
rated insulation voltage	$U_i = 1000 \text{ V a.c./d.c.}$
material	PP (polypropylene)
rated current:	20 A
degree of protection	IP 66
mounting width	74 mm
mounting height	74 mm
max. installation depth	47 mm
width	93 mm
height	93 mm
depth	62 mm
weight	0,156 kg
in accordance with	IEC 60670-22

Drawings

Dimension drawing



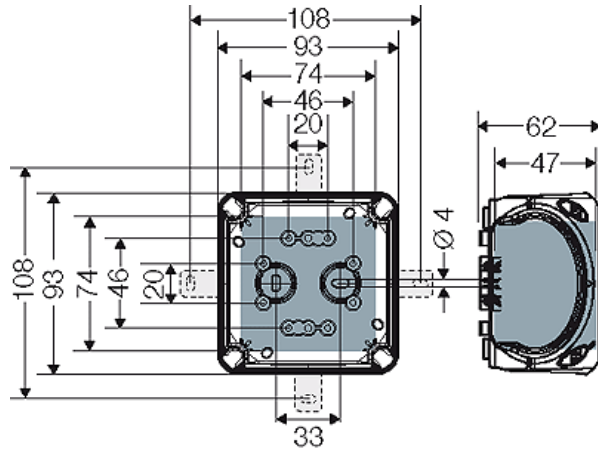
Cable junction boxes with PE inlay



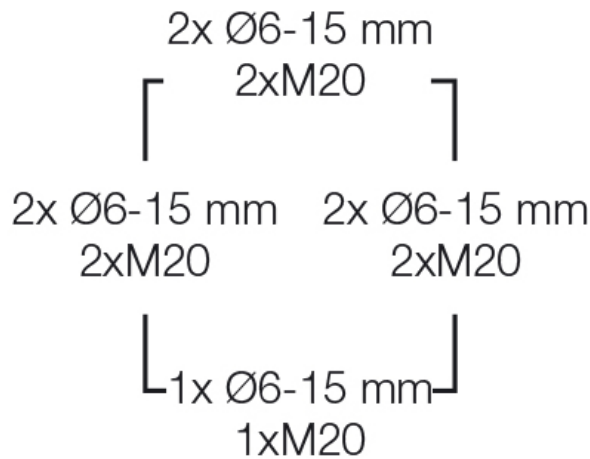
DK 0200 U

IP
66

Detail mass



Box walls




Operating and ambient conditions

Application area	Suitable for indoor installation and outdoor installation, protected against weather influences
Ambient temperature	Maximum value + 40 °C Minimum value - 25 °C
Fire protection in the event of internal faults	Demands placed on electrical devices from standards and laws Minimum requirements - Glow wire test in accordance with IEC 60695-2-11: - 650°C for boxes and cable glands - 850°C for parts of insulating material necessary to retain current carrying parts in position
Burning behaviour	Glow wire test IEC 60695-2-11: 750 °C UL Subject 94: V-2 flame-retardant self-extinguishing
Degree of protection against mechanical load	IK07 (2 Joule)
Toxic behaviour	halogen-free silicone-free "halogen-free" in accordance with the examination of the cables and insulated wires - corrosiveness of fumes - as per IEC 60754-2
Note:	For material properties see technical data.

Cable junction boxes with PE inlay

 A photograph of the DK 0200 U cable junction box. It is a white, rectangular plastic enclosure with a hinged lid. The lid is shown partially open, revealing the internal components, including a green PE inlay and several terminals. A green screwdriver is placed next to the box for scale.	<p>DK 0200 U</p>	 An icon representing the IP 66 protection rating. It consists of a white square with a black border, containing the letters 'IP' in a small black box above the number '66'.
--	-------------------------	--

Cable junction boxes with PE inlay



DK 0202 V

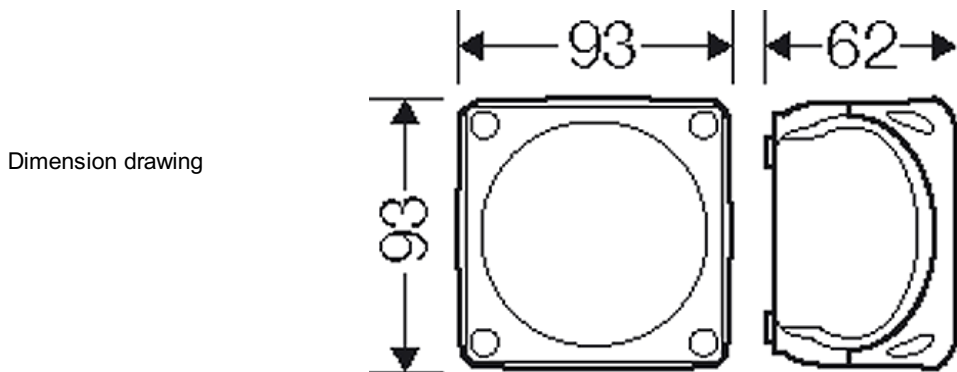
- 0.75-2.5 mm², Cu 3~

IP
66


- terminal with 2 clamping units per pole
- 5-pole per pole 8 x 0,75 mm² f, 6 x 1,5 mm² r / f, 4 x 2,5 mm² r / f, 2 x 4 mm² r / f
- with patented PE inlay to connect the armours of SWA cables
- with integrated elastic membranes, which can be removed for cable entry via cable glands, sealing range 6.0-15.0 mm
- lid fasteners sealable without accessories
- retaining strap and external brackets for wall fixing included
- colour: black, RAL 9011
- To close opened membranes use grommets type EDK. Degree of protection = IP 66.

rated insulation voltage	U _i = 690 V a.c./d.c.
rated current:	20 A
material	PP (polypropylene)
degree of protection	IP 66
width	93 mm
height	93 mm
depth	62 mm
weight	0,186 kg
tightening torque for terminal	0.5 Nm
in accordance with	IEC 60670-22

Drawings



Cable junction boxes with PE inlay

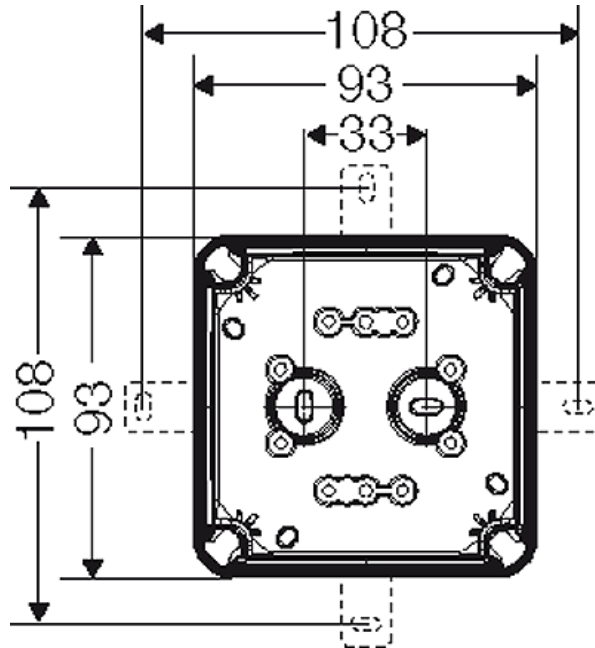


DK 0202 V

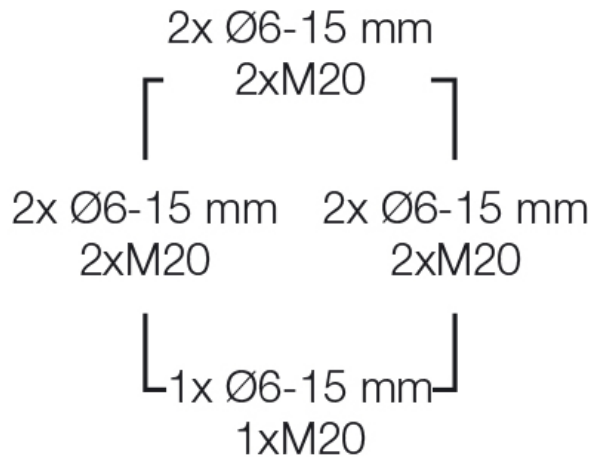
- 0.75-2.5 mm², Cu 3~

IP
66

Detail mass





Box walls



Operating and ambient conditions

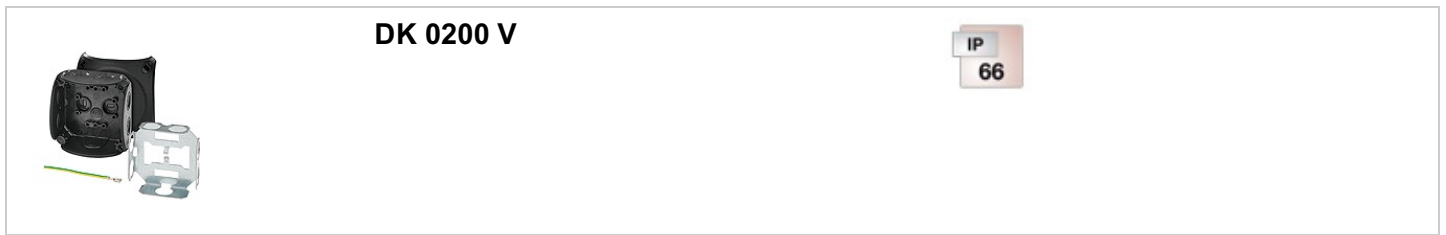
Application area	Suitable for indoor installation and outdoor installation, protected against weather influences
Ambient temperature	Average value over 24 hours + 35 °C Maximum value + 40 °C Minimum value - 25 °C
Relative humidity	50% at 40° C short-time 100% at 25° C
Fire protection in the event of internal faults	Demands placed on electrical devices from standards and laws Minimum requirements - Glow wire test in accordance with IEC 60695-2-11: - 650°C for boxes and cable glands - 850°C for parts of insulating material necessary to retain current carrying parts in position

Cable junction boxes with PE inlay

	<p>DK 0202 V</p> <ul style="list-style-type: none"> • 0.75-2.5 mm², Cu 3~ 	
---	--	---

<p>Burning behaviour</p>	<p>Glow wire test IEC 60695-2-11: 750 °C UL Subject 94: V-2 flame-retardant self-extinguishing</p>
<p>Degree of protection against mechanical load</p>	<p>IK07 (2 Joule)</p>
<p>Toxic behaviour</p>	<p>halogen-free silicone-free "halogen-free" in accordance with the examination of the cables and insulated wires - corrosiveness of fumes - as per IEC 60754-2</p>
<p>Note:</p>	<p>For material properties see technical data.</p>

Cable junction boxes with PE inlay



DK 0200 V

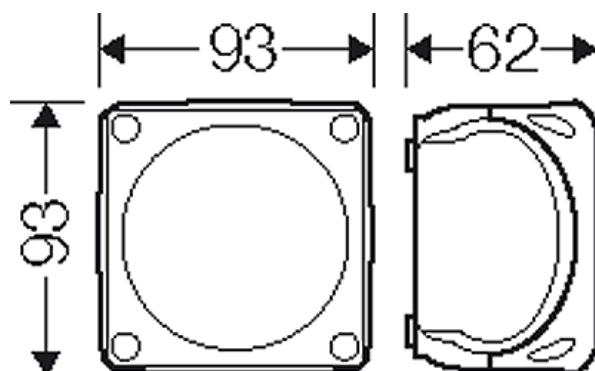
IP
66

- without terminals
- with patented PE inlay to connect the armours of SWA cables
- with integrated elastic membranes, which can be removed for cable entry via cable glands, sealing range 6.0-15.0 mm
- lid fasteners sealable without accessories
- retaining strap and external brackets for wall fixing included
- colour: black, RAL 9011
- To close opened membranes use grommets type EDK. Degree of protection = IP 66.

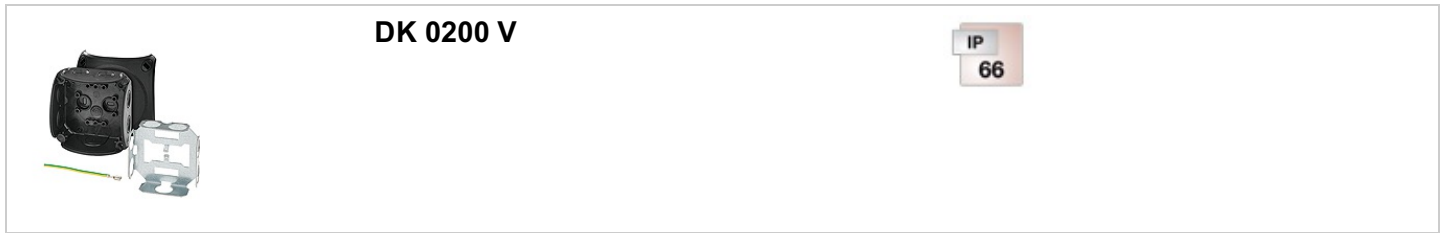
rated insulation voltage	$U_i = 1000 \text{ V a.c./d.c.}$
material	PP (polypropylene)
rated current:	20 A
degree of protection	IP 66
mounting width	74 mm
mounting height	74 mm
max. installation depth	47 mm
width	93 mm
height	93 mm
depth	62 mm
weight	0,156 kg
in accordance with	IEC 60670-22

Drawings

Dimension drawing



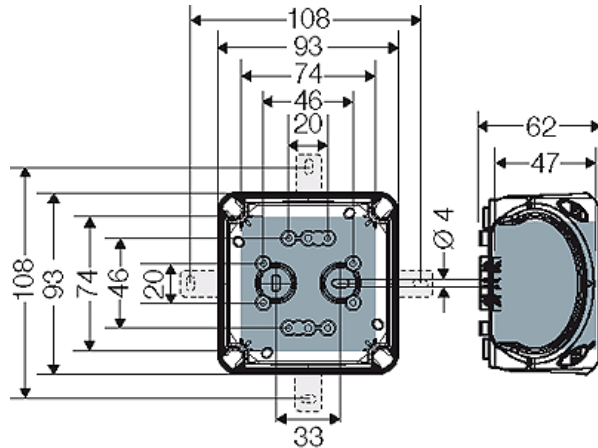
Cable junction boxes with PE inlay



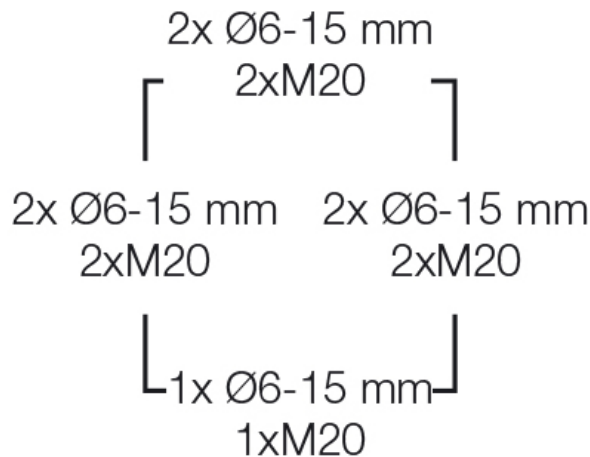
DK 0200 V

IP
66

Detail mass





Box walls



Operating and ambient conditions

Application area	Suitable for indoor installation and outdoor installation, protected against weather influences
Ambient temperature	Maximum value + 40 °C Minimum value - 25 °C
Fire protection in the event of internal faults	Demands placed on electrical devices from standards and laws Minimum requirements - Glow wire test in accordance with IEC 60695-2-11: - 650°C for boxes and cable glands - 850°C for parts of insulating material necessary to retain current carrying parts in position
Burning behaviour	Glow wire test IEC 60695-2-11: 750 °C UL Subject 94: V-2 flame-retardant self-extinguishing
Degree of protection against mechanical load	IK07 (2 Joule)
Toxic behaviour	halogen-free silicone-free "halogen-free" in accordance with the examination of the cables and insulated wires - corrosiveness of fumes - as per IEC 60754-2
Note:	For material properties see technical data.

Cable junction boxes with PE inlay

	<p>DK 0200 V</p>	
---	------------------	---

Cable junction boxes with PE inlay



DK 0604 U

- 1.5-4 mm², Cu 3~

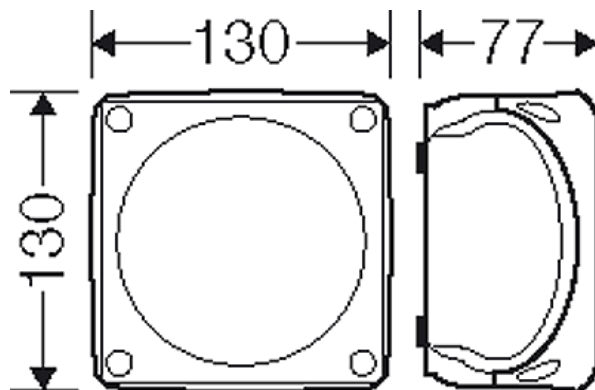
IP
66

- terminal with 2 clamping units per pole
- 5-pole per pole 8 x 1,5 mm² r / f, 6 x 2,5 mm² r / f, 4 x 4 mm² r / f, 2 x 6 mm² r / f
- with patented PE inlay to connect the armours of SWA cables
- with elastic membranes, which can be removed for cable entry via cable glands, sealing range 9.0-21.0 mm
- lid fasteners sealable without accessories
- retaining strap and external brackets for wall fixing included
- colour: grey, RAL 7035
- To close opened membranes use grommets type EDK. Degree of protection = IP 66.

rated insulation voltage	U _i = 690 V a.c./d.c.
rated current:	32 A
material	PP (polypropylene)
degree of protection	IP 66
width	130 mm
height	130 mm
depth	77 mm
weight	0,34 kg
tightening torque for terminal	0.7 Nm
in accordance with	IEC 60670-22

Drawings

Dimension drawing



Cable junction boxes with PE inlay

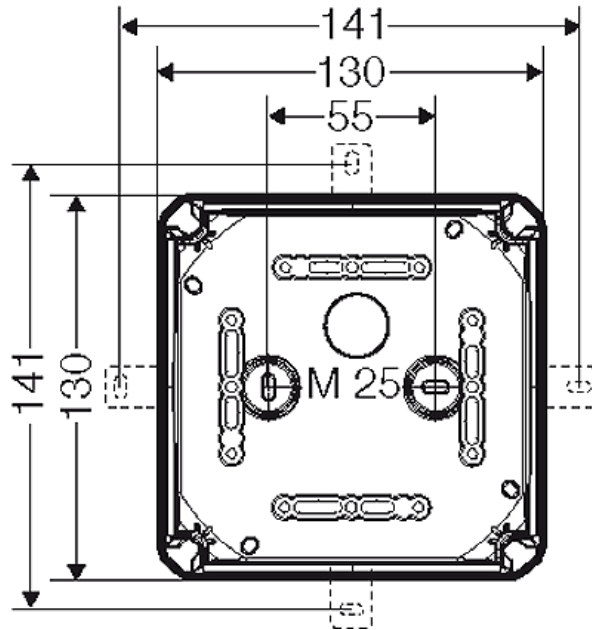


DK 0604 U

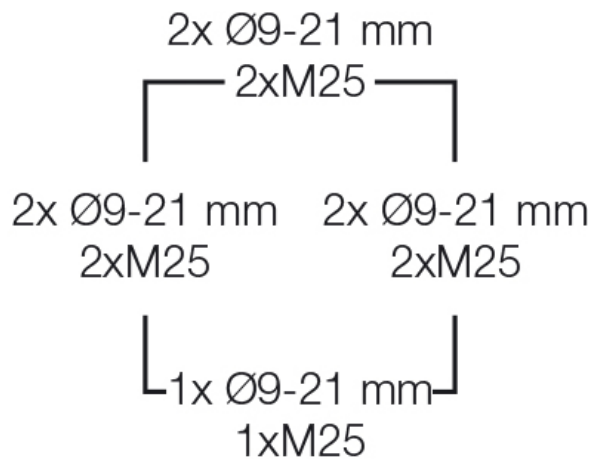
- 1.5-4 mm², Cu 3~

IP
66

Detail mass



Box walls



Operating and ambient conditions

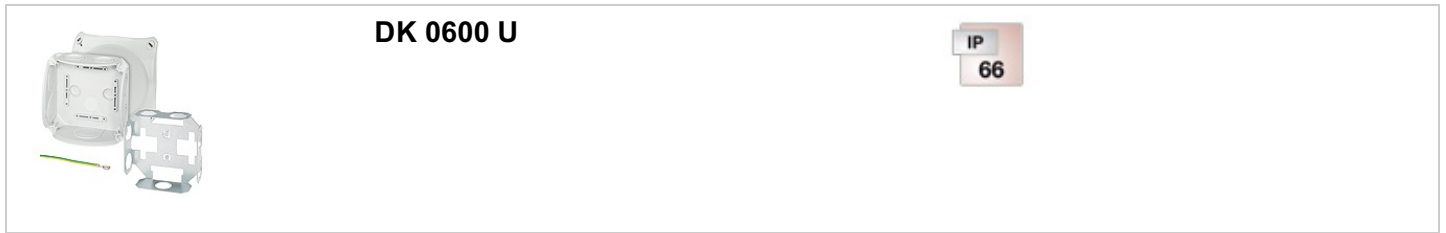
Application area	Suitable for indoor installation and outdoor installation, protected against weather influences
Ambient temperature	Average value over 24 hours + 35 °C Maximum value + 40 °C Minimum value - 25 °C
Relative humidity	50% at 40° C short-time 100% at 25° C
Fire protection in the event of internal faults	Demands placed on electrical devices from standards and laws Minimum requirements - Glow wire test in accordance with IEC 60695-2-11: - 650°C for boxes and cable glands - 850°C for parts of insulating material necessary to retain current carrying parts in position

Cable junction boxes with PE inlay

	<p>DK 0604 U</p> <ul style="list-style-type: none"> • 1.5-4 mm², Cu 3~ 	
---	---	---

<p>Burning behaviour</p>	<p>Glow wire test IEC 60695-2-11: 750 °C UL Subject 94: V-2 flame-retardant self-extinguishing</p>
<p>Degree of protection against mechanical load</p>	<p>IK07 (2 Joule)</p>
<p>Toxic behaviour</p>	<p>halogen-free silicone-free "halogen-free" in accordance with the examination of the cables and insulated wires - corrosiveness of fumes - as per IEC 60754-2</p>
<p>Note:</p>	<p>For material properties see technical data.</p>

Cable junction boxes with PE inlay



DK 0600 U

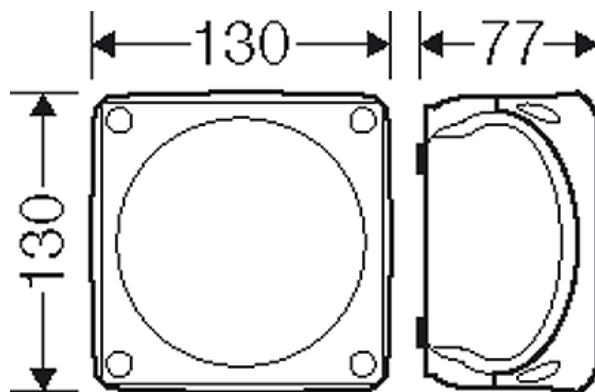
IP
66

- without terminals
- with patented PE inlay to connect the armours of SWA cables
- with elastic membranes, which can be removed for cable entry via cable glands, sealing range 9.0-21.0 mm
- lid fasteners sealable without accessories
- retaining strap and external brackets for wall fixing included
- colour: grey, RAL 7035
- To close opened membranes use grommets type EDK. Degree of protection = IP 66.

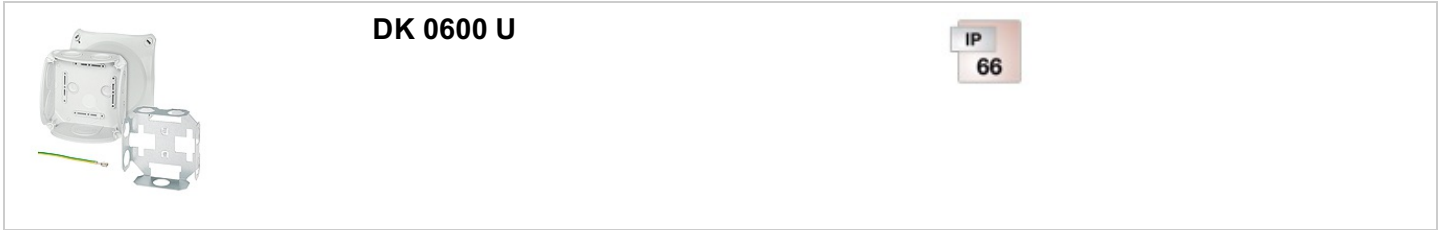
rated insulation voltage	$U_i = 1000 \text{ V a.c./d.c.}$
material	PP (polypropylene)
rated current:	32 A
degree of protection	IP 66
mounting width	102 mm
mounting height	102 mm
max. installation depth	62 mm
width	130 mm
height	130 mm
depth	77 mm
weight	0,301 kg
in accordance with	IEC 60670-22

Drawings

Dimension drawing



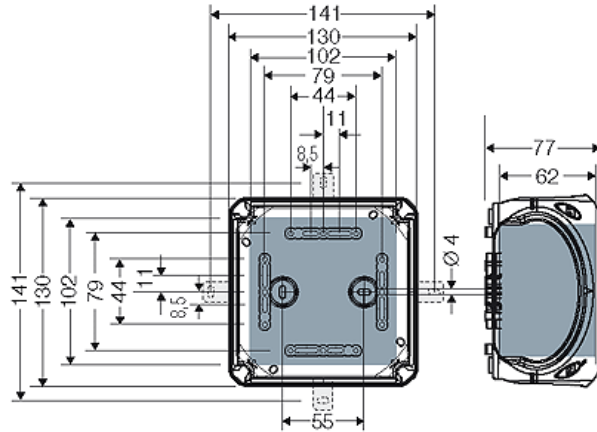
Cable junction boxes with PE inlay



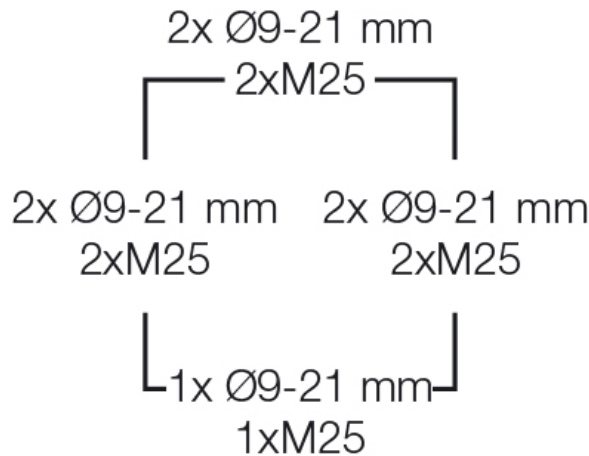
DK 0600 U

IP
66

Detail mass



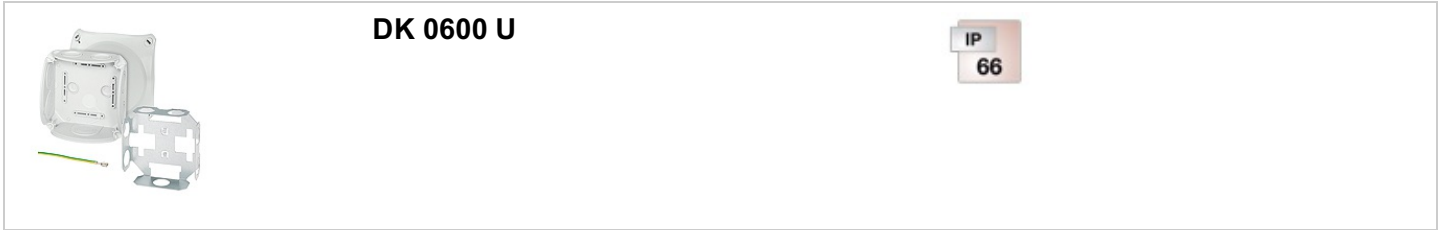
Box walls



Operating and ambient conditions

Application area	Suitable for indoor installation and outdoor installation, protected against weather influences
Ambient temperature	Maximum value + 40 °C Minimum value - 25 °C
Fire protection in the event of internal faults	Demands placed on electrical devices from standards and laws Minimum requirements - Glow wire test in accordance with IEC 60695-2-11: - 650°C for boxes and cable glands - 850°C for parts of insulating material necessary to retain current carrying parts in position
Burning behaviour	Glow wire test IEC 60695-2-11: 750 °C UL Subject 94: V-2 flame-retardant self-extinguishing
Degree of protection against mechanical load	IK07 (2 Joule)
Toxic behaviour	halogen-free silicone-free "halogen-free" in accordance with the examination of the cables and insulated wires - corrosiveness of fumes - as per IEC 60754-2
Note:	For material properties see technical data.

Cable junction boxes with PE inlay



Cable junction boxes with PE inlay



DK 0604 V

- 1.5-4 mm², Cu 3~

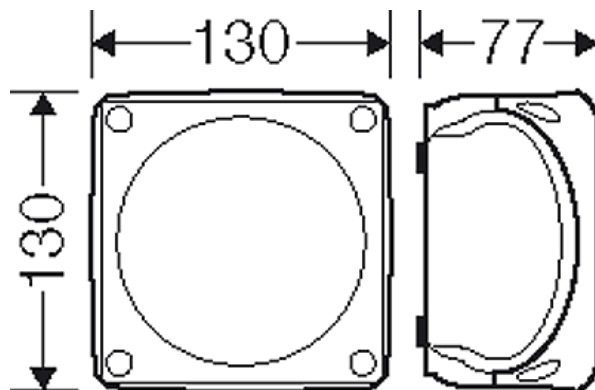
IP
66

- terminal with 2 clamping units per pole
- 5-pole per pole 8 x 1,5 mm² r / f, 6 x 2,5 mm² r / f, 4 x 4 mm² r / f, 2 x 6 mm² r / f
- with patented PE inlay to connect the armours of SWA cables
- with elastic membranes, which can be removed for cable entry via cable glands, sealing range 9.0-21.0 mm
- lid fasteners sealable without accessories
- retaining strap and external brackets for wall fixing included
- colour: black, RAL 9011
- To close opened membranes use grommets type EDK. Degree of protection = IP 66.

rated insulation voltage	U _i = 690 V a.c./d.c.
rated current:	32 A
material	PP (polypropylene)
degree of protection	IP 66
width	130 mm
height	130 mm
depth	77 mm
weight	0,339 kg
tightening torque for terminal	0.7 Nm
in accordance with	IEC 60670-22

Drawings

Dimension drawing



Cable junction boxes with PE inlay

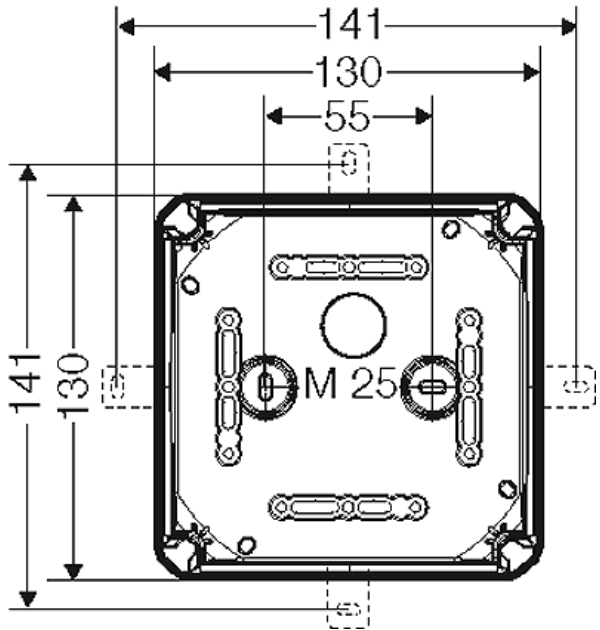


DK 0604 V

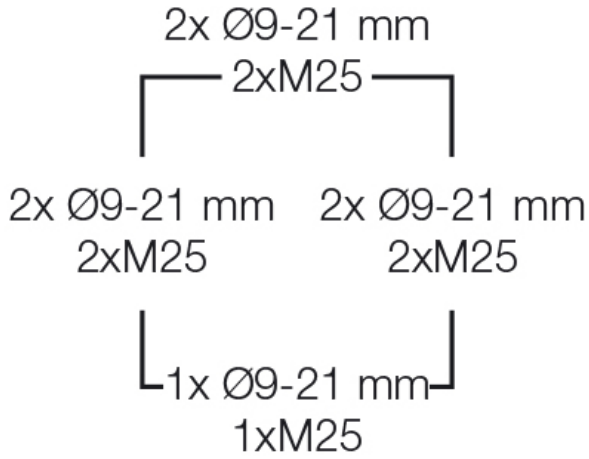
- 1.5-4 mm², Cu 3~

IP
66

Detail mass



Box walls



Operating and ambient conditions

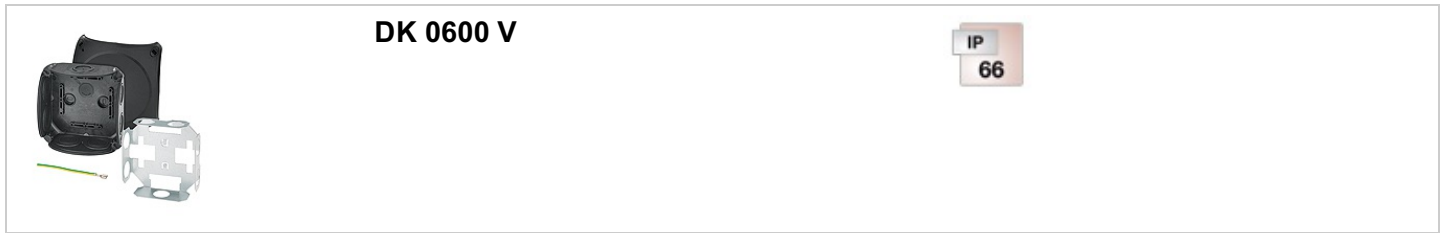
Application area	Suitable for indoor installation and outdoor installation, protected against weather influences
Ambient temperature	Average value over 24 hours + 35 °C Maximum value + 40 °C Minimum value - 25 °C
Relative humidity	50% at 40° C short-time 100% at 25° C
Fire protection in the event of internal faults	Demands placed on electrical devices from standards and laws Minimum requirements - Glow wire test in accordance with IEC 60695-2-11: - 650°C for boxes and cable glands - 850°C for parts of insulating material necessary to retain current carrying parts in position

Cable junction boxes with PE inlay

	<p>DK 0604 V</p> <ul style="list-style-type: none"> • 1.5-4 mm², Cu 3~ 	
---	---	---

Burning behaviour	Glow wire test IEC 60695-2-11: 750 °C UL Subject 94: V-2 flame-retardant self-extinguishing
Degree of protection against mechanical load	IK07 (2 Joule)
Toxic behaviour	halogen-free silicone-free "halogen-free" in accordance with the examination of the cables and insulated wires - corrosiveness of fumes - as per IEC 60754-2
Note:	For material properties see technical data.

Cable junction boxes with PE inlay



DK 0600 V

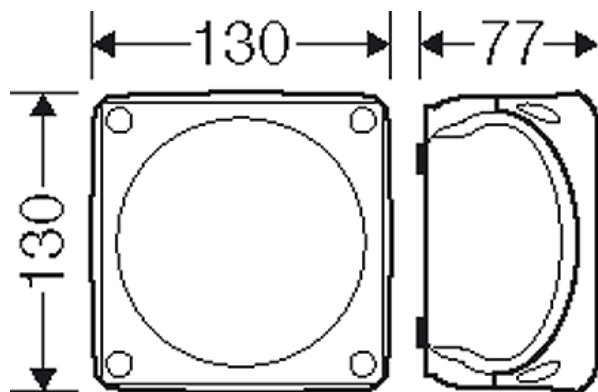
IP
66

- without terminals
- with patented PE inlay to connect the armours of SWA cables
- with elastic membranes, which can be removed for cable entry via cable glands, sealing range 9.0-21.0 mm
- lid fasteners sealable without accessories
- retaining strap and external brackets for wall fixing included
- colour: black, RAL 9011
- To close opened membranes use grommets type EDK. Degree of protection = IP 66.

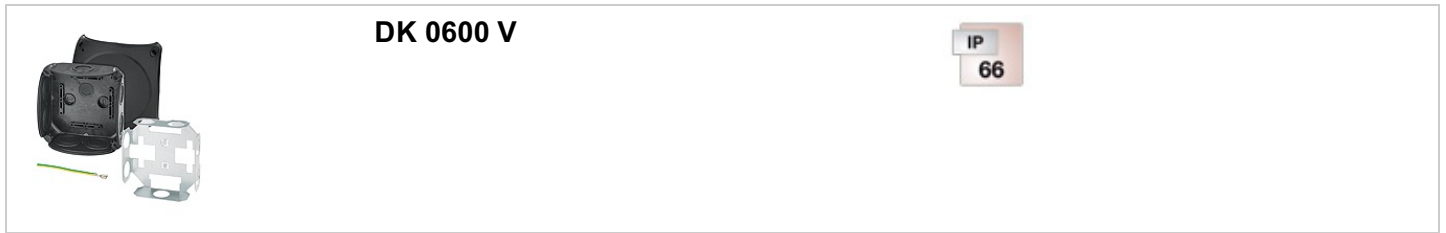
rated insulation voltage	$U_i = 1000 \text{ V a.c./d.c.}$
material	PP (polypropylene)
rated current:	32 A
degree of protection	IP 66
mounting width	102 mm
mounting height	102 mm
max. installation depth	62 mm
width	130 mm
height	130 mm
depth	77 mm
weight	0,3 kg
in accordance with	IEC 60670-22

Drawings

Dimension drawing



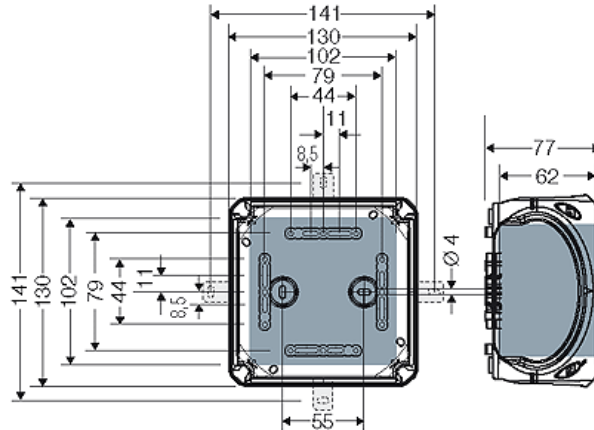
Cable junction boxes with PE inlay



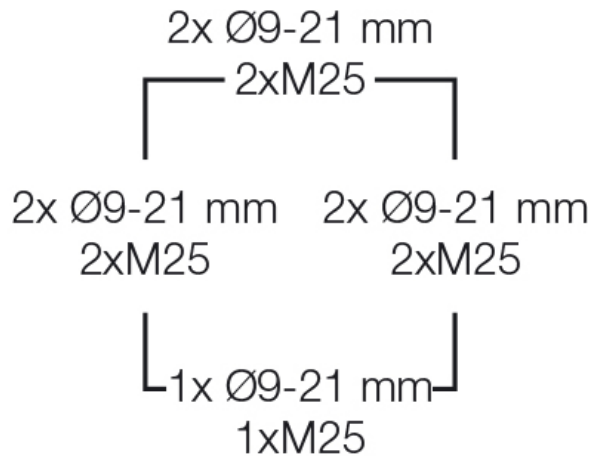
DK 0600 V

IP
66

Detail mass



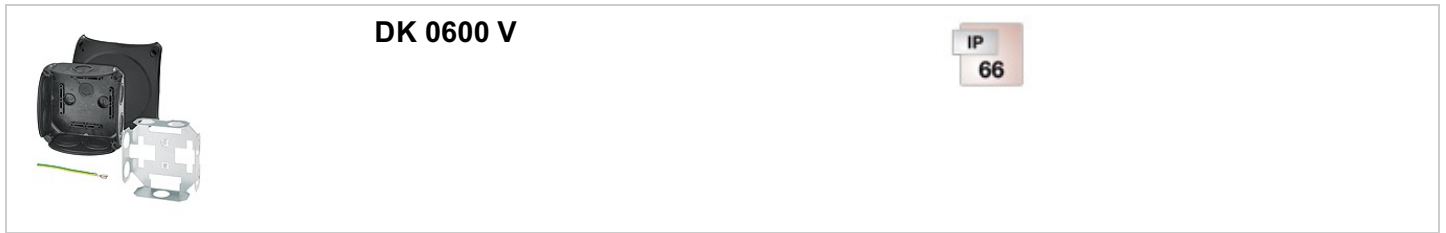
Box walls



Operating and ambient conditions

Application area	Suitable for indoor installation and outdoor installation, protected against weather influences
Ambient temperature	Maximum value + 40 °C Minimum value - 25 °C
Fire protection in the event of internal faults	Demands placed on electrical devices from standards and laws Minimum requirements - Glow wire test in accordance with IEC 60695-2-11: - 650°C for boxes and cable glands - 850°C for parts of insulating material necessary to retain current carrying parts in position
Burning behaviour	Glow wire test IEC 60695-2-11: 750 °C UL Subject 94: V-2 flame-retardant self-extinguishing
Degree of protection against mechanical load	IK07 (2 Joule)
Toxic behaviour	halogen-free silicone-free "halogen-free" in accordance with the examination of the cables and insulated wires - corrosiveness of fumes - as per IEC 60754-2
Note:	For material properties see technical data.


Cable junction boxes with PE inlay



DK 0600 V

IP
66

Cable junction boxes with PE inlay




KF 0202 U

- 0.75-2.5 mm², Cu 3~

IP
66/67

IP
69

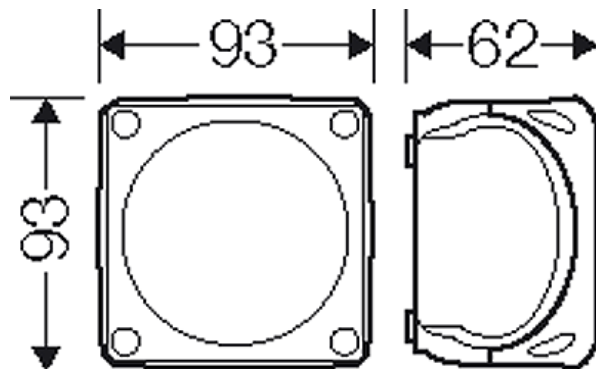


- terminal with 2 clamping units per pole
- 5-pole per pole 8 x 0,75 mm² f, 6 x 1,5 mm² r / f, 4 x 2,5 mm² r / f, 2 x 4 mm² r / f
- with patented PE inlay to connect the armours of SWA cables
- cable entries via knockouts, order AKM / GSC separately (see cable entry systems LES)
- "weatherproof" resistant to weather influences (UV due to solar radiation, protected against rainwater, temperature resistant, impact resistant, etc.)
- saltwater-proof
- "offshore applications"
- lid fasteners sealable without accessories
- retaining strap and external brackets for wall fixing included
- colour: grey, RAL 7035


rated insulation voltage	U _i = 690 V a.c./d.c.
rated current:	20 A
material	PC-GFS (polycarbonate)
width	93 mm
height	93 mm
depth	62 mm
weight	0,199 kg
tightening torque for terminal	0.5 Nm
degree of protection	IP 66 / IP 67 IP 67, temporary submersion
in accordance with	IEC 60670-22

Drawings

Dimension drawing



Cable junction boxes with PE inlay




KF 0202 U

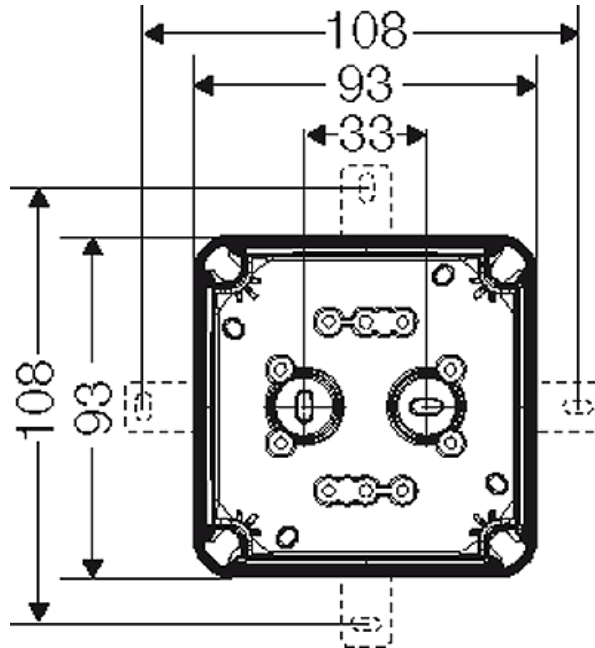
- 0.75-2.5 mm², Cu 3~

IP
66/67

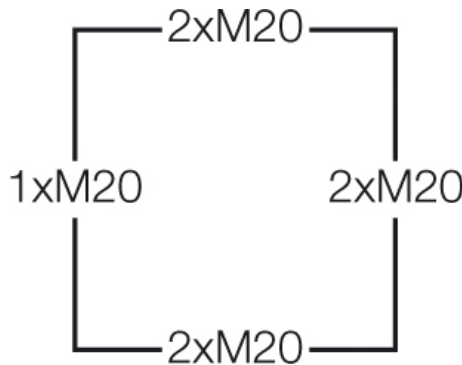
IP
69



Detail mass




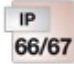
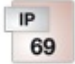

Box walls



Operating and ambient conditions


Application area	Suitable for outdoor installation (harsh environment and/or outdoor). To reduce the formation and accumulation of condensed water see technical information.
Ambient temperature	Average value over 24 hours + 55 °C Maximum value + 70 °C Minimum value - 25 °C
Relative humidity	50% at 40° C short-time 100% at 25° C
Fire protection in the event of internal faults	Demands placed on electrical devices from standards and laws Minimum requirements - Glow wire test in accordance with IEC 60695-2-11: - 650°C for boxes and cable glands - 850°C for parts of insulating material necessary to retain current carrying parts in position
Burning behaviour	Glow wire test IEC 60695-2-11: 960 °C

Cable junction boxes with PE inlay

	<p>KF 0202 U</p>			
<ul style="list-style-type: none"> • 0.75-2.5 mm², Cu 3~ 				

	UL Subject 94: V-0 flame-retardant self-extinguishing
Degree of protection against mechanical load	IK09 (10 Joule)
Toxic behaviour	halogen-free silicone-free "halogen-free" in accordance with the examination of the cables and insulated wires - corrosiveness of fumes - as per IEC 60754-2
Note:	For material properties see technical data.

Cable junction boxes with PE inlay




KF 0202 V

- 0.75-2.5 mm², Cu 3~

IP
66/67

IP
69

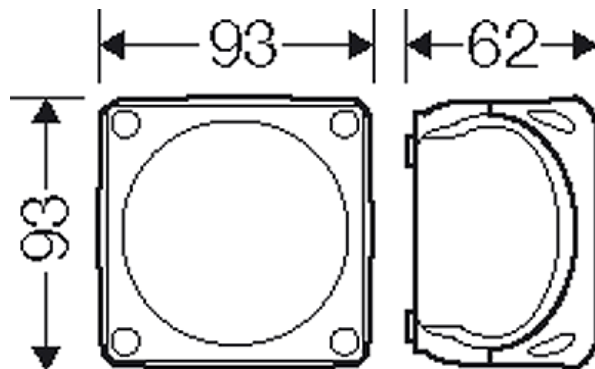


- terminal with 2 clamping units per pole
- 5-pole per pole 8 x 0,75 mm² f, 6 x 1,5 mm² r / f, 4 x 2,5 mm² r / f, 2 x 4 mm² r / f
- with patented PE inlay to connect the armours of SWA cables
- cable entries via knockouts, order ASS / GSC separately (see cable entry systems LES)
- "weatherproof" resistant to weather influences (UV due to solar radiation, protected against rainwater, temperature resistant, impact resistant, etc.)
- saltwater-proof
- "offshore applications"
- lid fasteners sealable without accessories
- retaining strap and external brackets for wall fixing included
- colour: black, RAL 9011


rated insulation voltage	U _i = 690 V a.c./d.c.
rated current:	20 A
material	PC-GFS (polycarbonate)
width	93 mm
height	93 mm
depth	62 mm
weight	0,199 kg
tightening torque for terminal	0.5 Nm
degree of protection	IP 66 / IP 67 IP 67, temporary submersion
in accordance with	IEC 60670-22

Drawings

Dimension drawing



Cable junction boxes with PE inlay




KF 0202 V

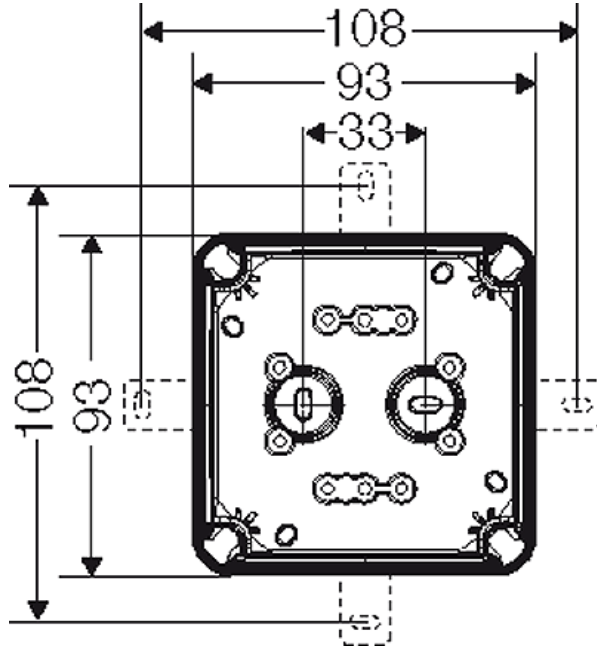
- 0.75-2.5 mm², Cu 3~

IP
66/67

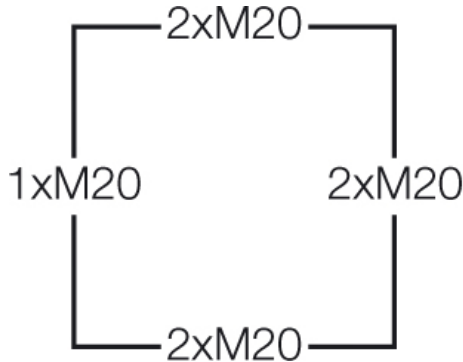
IP
69



Detail mass




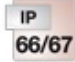
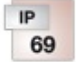

Box walls



Operating and ambient conditions

Application area	Suitable for outdoor installation (harsh environment and/or outdoor). To reduce the formation and accumulation of condensed water see technical information.
Ambient temperature	Average value over 24 hours + 55 °C Maximum value + 70 °C Minimum value - 25 °C
Relative humidity	50% at 40° C short-time 100% at 25° C
Fire protection in the event of internal faults	Demands placed on electrical devices from standards and laws Minimum requirements - Glow wire test in accordance with IEC 60695-2-11: - 650°C for boxes and cable glands - 850°C for parts of insulating material necessary to retain current carrying parts in position
Burning behaviour	Glow wire test IEC 60695-2-11: 960 °C

Cable junction boxes with PE inlay

	<p>KF 0202 V</p>			
<ul style="list-style-type: none"> • 0.75-2.5 mm², Cu 3~ 				


UL Subject 94: V-0
 flame-retardant
 self-extinguishing

Degree of protection against mechanical load IK09 (10 Joule)

Toxic behaviour halogen-free
 silicone-free
 "halogen-free" in accordance with the examination of the cables and insulated wires - corrosiveness of fumes - as per IEC 60754-2

Note: For material properties see technical data.

Cable junction boxes with PE inlay




KF 0202 V

- 0.75-2.5 mm², Cu 3~

IP
66/67

IP
69

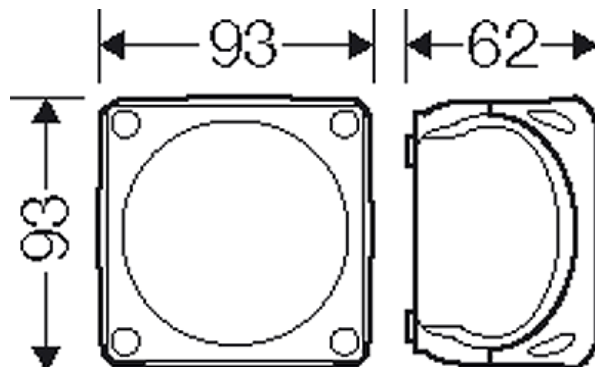


- terminal with 2 clamping units per pole
- 5-pole per pole 8 x 0,75 mm² f, 6 x 1,5 mm² r / f, 4 x 2,5 mm² r / f, 2 x 4 mm² r / f
- with patented PE inlay to connect the armours of SWA cables
- cable entries via knockouts, order ASS / GSC separately (see cable entry systems LES)
- "weatherproof" resistant to weather influences (UV due to solar radiation, protected against rainwater, temperature resistant, impact resistant, etc.)
- saltwater-proof
- "offshore applications"
- lid fasteners sealable without accessories
- retaining strap and external brackets for wall fixing included
- colour: black, RAL 9011


rated insulation voltage	U _i = 690 V a.c./d.c.
rated current:	20 A
material	PC-GFS (polycarbonate)
width	93 mm
height	93 mm
depth	62 mm
weight	0,199 kg
tightening torque for terminal	0.5 Nm
degree of protection	IP 66 / IP 67 IP 67, temporary submersion
in accordance with	IEC 60670-22

Drawings

Dimension drawing



Cable junction boxes with PE inlay




KF 0202 V

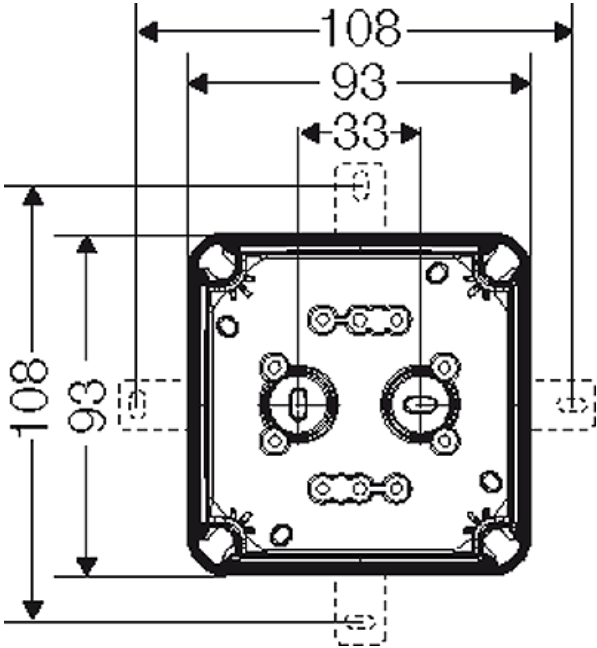
- 0.75-2.5 mm², Cu 3~

IP
66/67

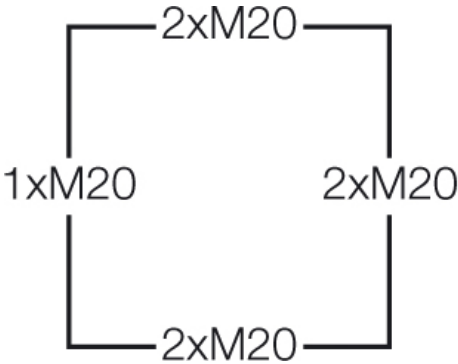
IP
69



Detail mass




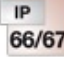
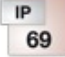

Box walls



Operating and ambient conditions

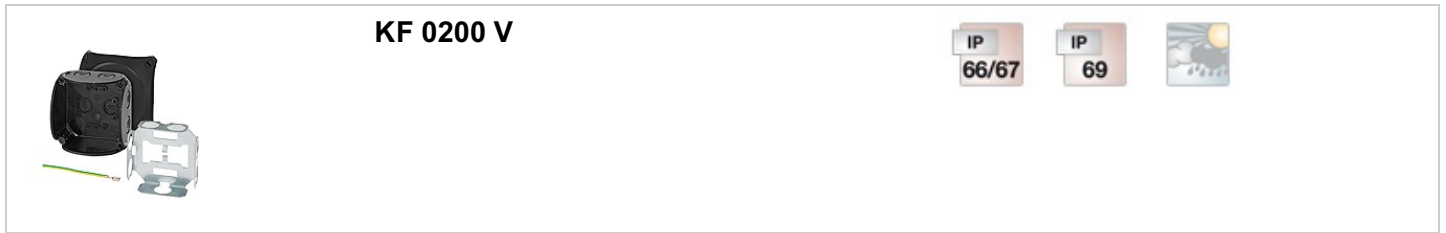
Application area	Suitable for outdoor installation (harsh environment and/or outdoor). To reduce the formation and accumulation of condensed water see technical information.
Ambient temperature	Average value over 24 hours + 55 °C Maximum value + 70 °C Minimum value - 25 °C
Relative humidity	50% at 40° C short-time 100% at 25° C
Fire protection in the event of internal faults	Demands placed on electrical devices from standards and laws Minimum requirements - Glow wire test in accordance with IEC 60695-2-11: - 650°C for boxes and cable glands - 850°C for parts of insulating material necessary to retain current carrying parts in position
Burning behaviour	Glow wire test IEC 60695-2-11: 960 °C

Cable junction boxes with PE inlay

	<p>KF 0202 V</p> <ul style="list-style-type: none"> • 0.75-2.5 mm², Cu 3~ 			
---	--	---	---	---

	UL Subject 94: V-0 flame-retardant self-extinguishing
Degree of protection against mechanical load	IK09 (10 Joule)
Toxic behaviour	halogen-free silicone-free "halogen-free" in accordance with the examination of the cables and insulated wires - corrosiveness of fumes - as per IEC 60754-2
Note:	For material properties see technical data.

Cable junction boxes with PE inlay



KF 0200 V

IP
66/67

IP
69

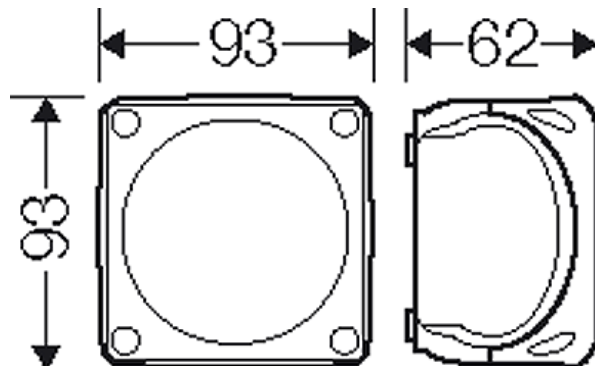


- without terminals
- with patented PE inlay to connect the armours of SWA cables
- cable entries via knockouts, order ASS / GSC separately (see cable entry systems LES)
- "weatherproof" resistant to weather influences (UV due to solar radiation, protected against rainwater, temperature resistant, impact resistant, etc.)
- saltwater-proof
- "offshore applications"
- lid fasteners sealable without accessories
- retaining strap and external brackets for wall fixing included
- colour: black, RAL 9011

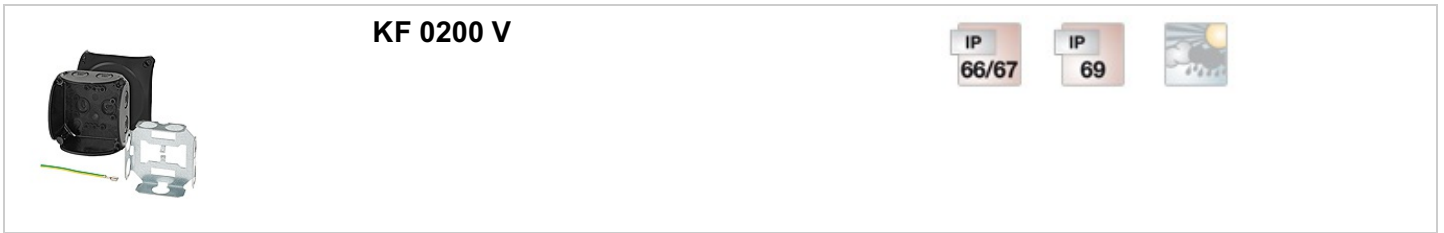
rated insulation voltage	U _i = 1000 V a.c./d.c.
material	PC-GFS (polycarbonate)
rated current:	20 A
mounting width	74 mm
mounting height	74 mm
max. installation depth	47 mm
width	93 mm
height	93 mm
depth	62 mm
weight	0,169 kg
degree of protection	IP 66 / IP 67 IP 67, temporary submersion
in accordance with	IEC 60670-22

Drawings

Dimension drawing



Cable junction boxes with PE inlay



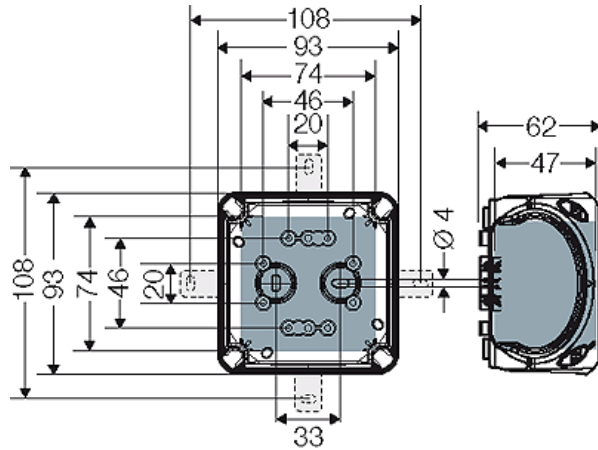
KF 0200 V

IP
66/67

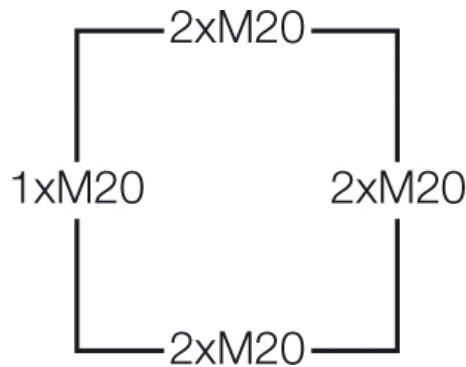
IP
69



Detail mass





Box walls



Operating and ambient conditions

Application area	Suitable for for outdoor installation (harsh environment and/or outdoor). To reduce the formation and accumulation of condensed water see technical information.
Ambient temperature	Average value over 24 hours + 55 °C Maximum value + 70 °C Minimum value - 25 °C
Fire protection in the event of internal faults	Demands placed on electrical devices from standards and laws Minimum requirements - Glow wire test in accordance with IEC 60695-2-11: - 650°C for boxes and cable glands - 850°C for parts of insulating material necessary to retain current carrying parts in position
Burning behaviour	Glow wire test IEC 60695-2-11: 960 °C UL Subject 94: V-0 flame-retardant self-extinguishing
Degree of protection against mechanical load	IK09 (10 Joule)
Toxic behaviour	halogen-free silicone-free "halogen-free" in accordance with the examination of the cables and insulated wires - corrosiveness of fumes - as per IEC 60754-2
Note:	For material properties see technical data.

Cable junction boxes with PE inlay

	<p>KF 0200 V</p>	<p>IP 66/67</p>	<p>IP 69</p>	
---	------------------	---------------------	------------------	---

Cable junction boxes with PE inlay



KF 0604 U

- 1.5-4 mm², Cu 3~

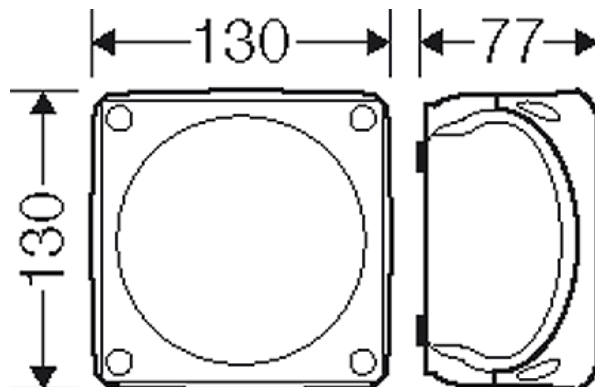


- terminal with 2 clamping units per pole
- 5-pole per pole 8 x 1,5 mm² r / f, 6 x 2,5 mm² r / f, 4 x 4 mm² r / f, 2 x 6 mm² r / f
- with patented PE inlay to connect the armours of SWA cables
- cable entries via knockouts, order AKM / GSC separately (see cable entry systems LES)
- "weatherproof" resistant to weather influences (UV due to solar radiation, protected against rainwater, temperature resistant, impact resistant, etc.)
- saltwater-proof
- "offshore applications"
- lid fasteners sealable without accessories
- retaining strap and external brackets for wall fixing included
- colour: grey, RAL 7035

rated insulation voltage	U _i = 690 V a.c./d.c.
rated current:	32 A
material	PC-GFS (polycarbonate)
width	130 mm
height	130 mm
depth	77 mm
weight	0,355 kg
tightening torque for terminal	0.7 Nm
degree of protection	IP 66 / IP 67 IP 67, temporary submersion
in accordance with	IEC 60670-22

Drawings

Dimension drawing



Cable junction boxes with PE inlay



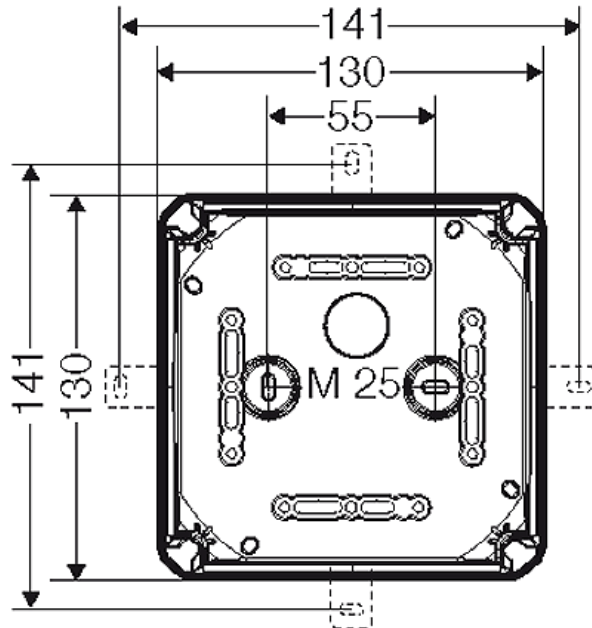
KF 0604 U

- 1.5-4 mm², Cu 3~

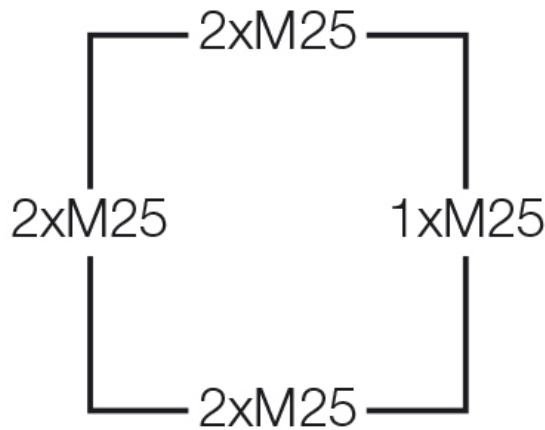
IP
66/67



Detail mass



Box walls



Operating and ambient conditions

Application area	Suitable for outdoor installation (harsh environment and/or outdoor). To reduce the formation and accumulation of condensed water see technical information.
Ambient temperature	Average value over 24 hours + 55 °C Maximum value + 70 °C Minimum value - 25 °C
Relative humidity	50% at 40° C short-time 100% at 25° C
Fire protection in the event of internal faults	Demands placed on electrical devices from standards and laws Minimum requirements - Glow wire test in accordance with IEC 60695-2-11: - 650°C for boxes and cable glands - 850°C for parts of insulating material necessary to retain current

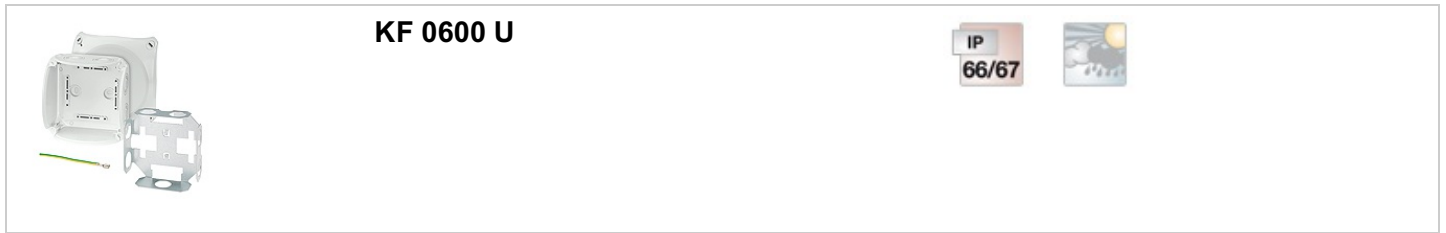
Cable junction boxes with PE inlay

	<p>KF 0604 U</p> <ul style="list-style-type: none"> • 1.5-4 mm², Cu 3~ 	 
---	---	---

carrying parts in position

<p>Burning behaviour</p>	<p>Glow wire test IEC 60695-2-11: 960 °C UL Subject 94: V-0 flame-retardant self-extinguishing</p>
<p>Degree of protection against mechanical load</p>	<p>IK09 (10 Joule)</p>
<p>Toxic behaviour</p>	<p>halogen-free silicone-free "halogen-free" in accordance with the examination of the cables and insulated wires - corrosiveness of fumes - as per IEC 60754-2</p>
<p>Note:</p>	<p>For material properties see technical data.</p>

Cable junction boxes with PE inlay



KF 0600 U

IP
66/67

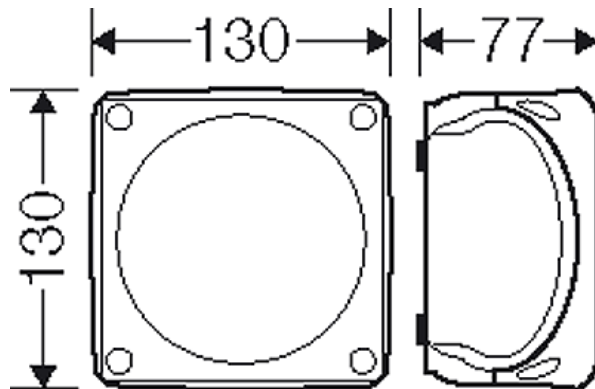


- without terminals
- with patented PE inlay to connect the armours of SWA cables
- cable entries via knockouts, order AKM / GSC separately (see cable entry systems LES)
- "weatherproof" resistant to weather influences (UV due to solar radiation, protected against rainwater, temperature resistant, impact resistant, etc.)
- saltwater-proof
- "offshore applications"
- lid fasteners sealable without accessories
- retaining strap and external brackets for wall fixing included
- colour: grey, RAL 7035

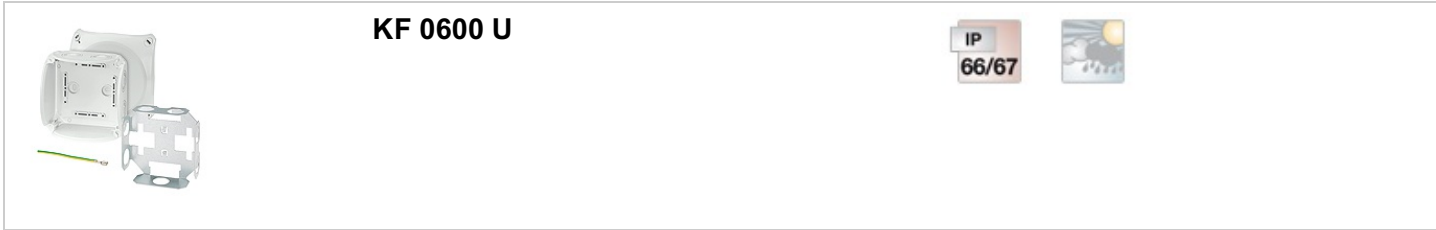
rated insulation voltage	U _i = 1000 V a.c./d.c.
material	PC-GFS (polycarbonate)
rated current:	32 A
mounting width	102 mm
mounting height	102 mm
max. installation depth	62 mm
width	130 mm
height	130 mm
depth	77 mm
weight	0,316 kg
degree of protection	IP 66 / IP 67 IP 67, temporary submersion
in accordance with	IEC 60670-22

Drawings

Dimension drawing



Cable junction boxes with PE inlay

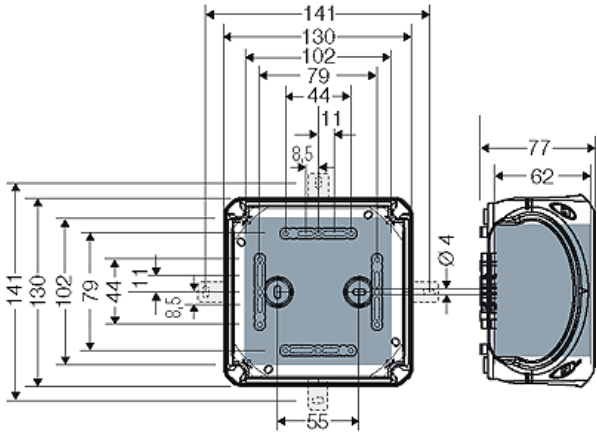


KF 0600 U

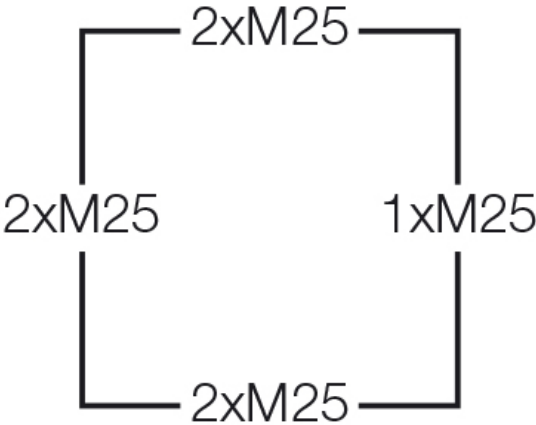
IP
66/67



Detail mass




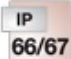

Box walls



Operating and ambient conditions

Application area	Suitable for outdoor installation (harsh environment and/or outdoor). To reduce the formation and accumulation of condensed water see technical information.
Ambient temperature	Average value over 24 hours + 55 °C Maximum value + 70 °C Minimum value - 25 °C
Fire protection in the event of internal faults	Demands placed on electrical devices from standards and laws Minimum requirements - Glow wire test in accordance with IEC 60695-2-11: - 650°C for boxes and cable glands - 850°C for parts of insulating material necessary to retain current carrying parts in position
Burning behaviour	Glow wire test IEC 60695-2-11: 960 °C UL Subject 94: V-0 flame-retardant self-extinguishing
Degree of protection against mechanical load	IK09 (10 Joule)
Toxic behaviour	halogen-free silicone-free "halogen-free" in accordance with the examination of the cables and insulated wires - corrosiveness of fumes - as per IEC 60754-2


Cable junction boxes with PE inlay

	KF 0600 U		
---	------------------	---	---

Note:

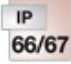

For material properties see technical data.

Cable junction boxes with PE inlay



KF 0604 V

- 1.5-4 mm², Cu 3~

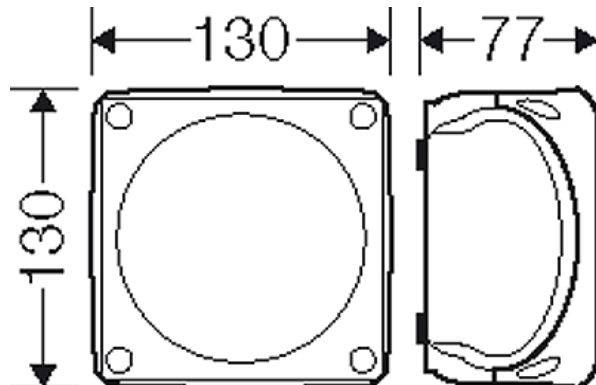



- terminal with 2 clamping units per pole
- 5-pole per pole 8 x 1,5 mm² r / f, 6 x 2,5 mm² r / f, 4 x 4 mm² r / f, 2 x 6 mm² r / f
- with patented PE inlay to connect the armours of SWA cables
- cable entries via knockouts, order ASS / GSC separately (see cable entry systems LES)
- "weatherproof" resistant to weather influences (UV due to solar radiation, protected against rainwater, temperature resistant, impact resistant, etc.)
- saltwater-proof
- "offshore applications"
- lid fasteners sealable without accessories
- retaining strap and external brackets for wall fixing included
- colour: black, RAL 9011

rated insulation voltage	U _i = 690 V a.c./d.c.
rated current:	32 A
material	PC-GFS (polycarbonate)
width	130 mm
height	130 mm
depth	77 mm
weight	0,354 kg
tightening torque for terminal	0.7 Nm
degree of protection	IP 66 / IP 67 IP 67, temporary submersion
in accordance with	IEC 60670-22

Drawings

Dimension drawing



Cable junction boxes with PE inlay



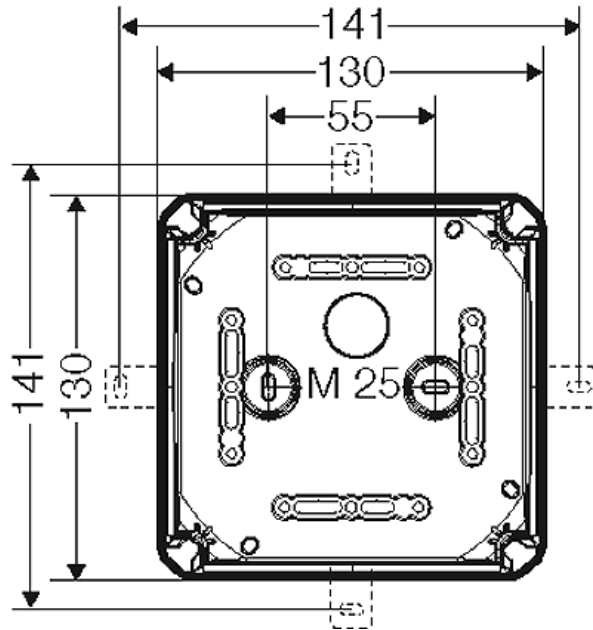
KF 0604 V

- 1.5-4 mm², Cu 3~

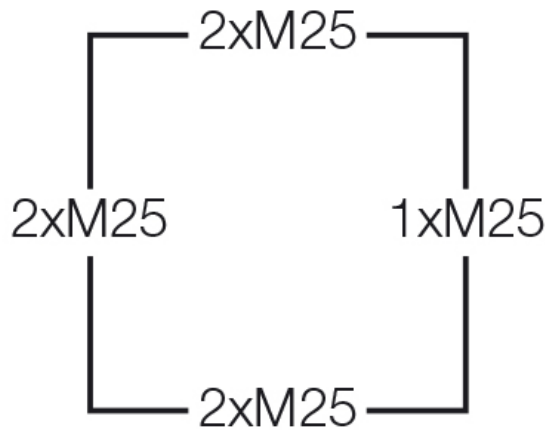
IP
66/67



Detail mass





Box walls



Operating and ambient conditions

Application area	Suitable for outdoor installation (harsh environment and/or outdoor). To reduce the formation and accumulation of condensed water see technical information.
Ambient temperature	Average value over 24 hours + 55 °C Maximum value + 70 °C Minimum value - 25 °C
Relative humidity	50% at 40° C short-time 100% at 25° C
Fire protection in the event of internal faults	Demands placed on electrical devices from standards and laws Minimum requirements - Glow wire test in accordance with IEC 60695-2-11: - 650°C for boxes and cable glands - 850°C for parts of insulating material necessary to retain current

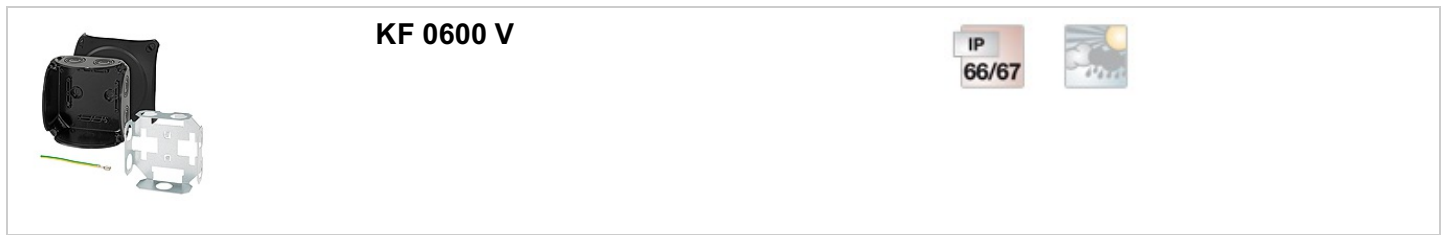
Cable junction boxes with PE inlay

	<p>KF 0604 V</p>		
	<ul style="list-style-type: none"> • 1.5-4 mm², Cu 3~ 		

carrying parts in position

<p>Burning behaviour</p>	<p>Glow wire test IEC 60695-2-11: 960 °C UL Subject 94: V-0 flame-retardant self-extinguishing</p>
<p>Degree of protection against mechanical load</p>	<p>IK09 (10 Joule)</p>
<p>Toxic behaviour</p>	<p>halogen-free silicone-free "halogen-free" in accordance with the examination of the cables and insulated wires - corrosiveness of fumes - as per IEC 60754-2</p>
<p>Note:</p>	<p>For material properties see technical data.</p>

Cable junction boxes with PE inlay



KF 0600 V

IP
66/67

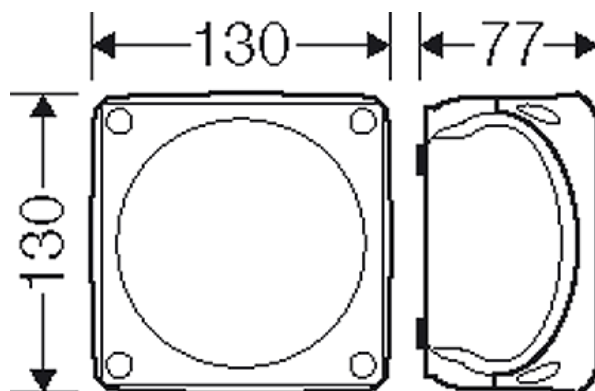


- without terminals
- with patented PE inlay to connect the armours of SWA cables
- cable entries via knockouts, order ASS / GSC separately (see cable entry systems LES)
- "weatherproof" resistant to weather influences (UV due to solar radiation, protected against rainwater, temperature resistant, impact resistant, etc.)
- saltwater-proof
- "offshore applications"
- lid fasteners sealable without accessories
- retaining strap and external brackets for wall fixing included
- colour: black, RAL 9011

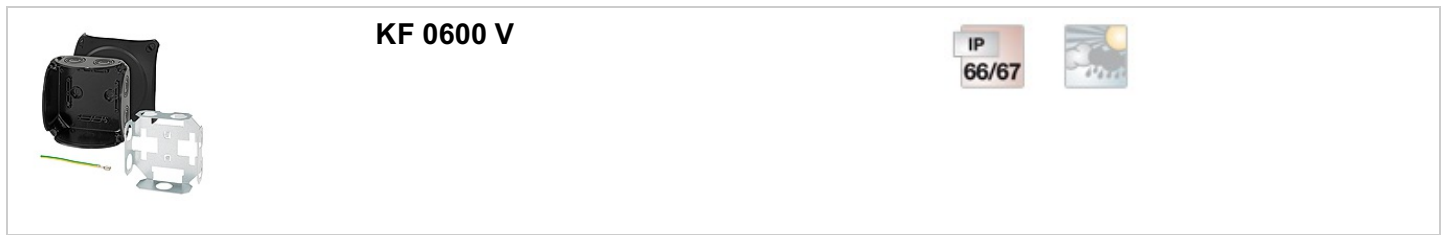
rated insulation voltage	$U_i = 1000 \text{ V a.c./d.c.}$
material	PC-GFS (polycarbonate)
rated current:	32 A
mounting width	102 mm
mounting height	102 mm
max. installation depth	62 mm
width	130 mm
height	130 mm
depth	77 mm
weight	0,316 kg
degree of protection	IP 66 / IP 67 IP 67, temporary submersion
in accordance with	IEC 60670-22

Drawings

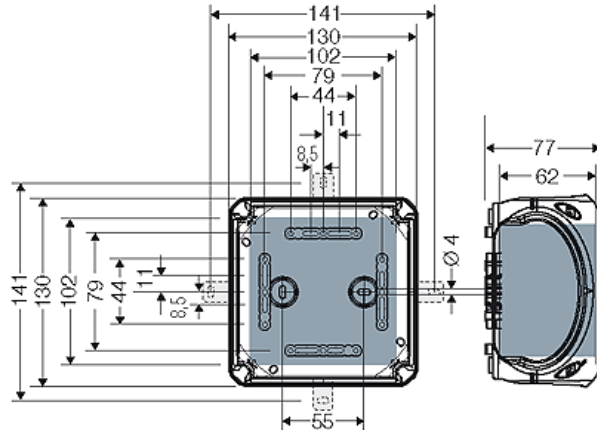
Dimension drawing



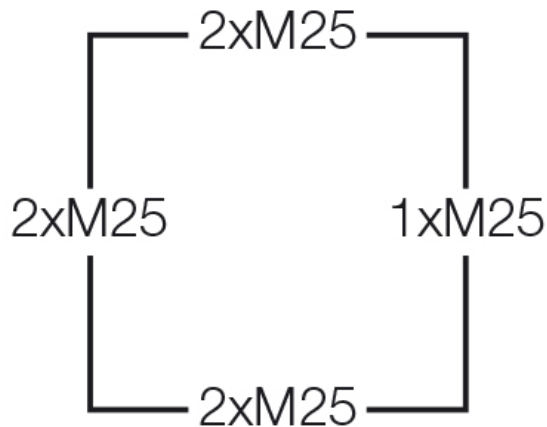
Cable junction boxes with PE inlay



Detail mass




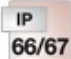

Box walls



Operating and ambient conditions

Application area	Suitable for outdoor installation (harsh environment and/or outdoor). To reduce the formation and accumulation of condensed water see technical information.
Ambient temperature	Average value over 24 hours + 55 °C Maximum value + 70 °C Minimum value - 25 °C
Fire protection in the event of internal faults	Demands placed on electrical devices from standards and laws Minimum requirements - Glow wire test in accordance with IEC 60695-2-11: - 650°C for boxes and cable glands - 850°C for parts of insulating material necessary to retain current carrying parts in position
Burning behaviour	Glow wire test IEC 60695-2-11: 960 °C UL Subject 94: V-0 flame-retardant self-extinguishing
Degree of protection against mechanical load	IK09 (10 Joule)
Toxic behaviour	halogen-free silicone-free "halogen-free" in accordance with the examination of the cables and insulated wires - corrosiveness of fumes - as per IEC 60754-2

Cable junction boxes with PE inlay

	KF 0600 V		
---	------------------	---	---

Note: For material properties see technical data.